



广州市番禺奥迪威电子有限公司
Audiowell Electronics (Guangzhou) Co., Ltd.
 地址: 中国广东省广州市番禺区迎宾路东升工业区 邮政编码: 511400
 Add: Dongsheng Industrial Park, Yingbin Road, Panyu, Guangzhou 511400, China
 Tel: +86-20-84802041 84802405 84871596 34516785 Fax: 84865207

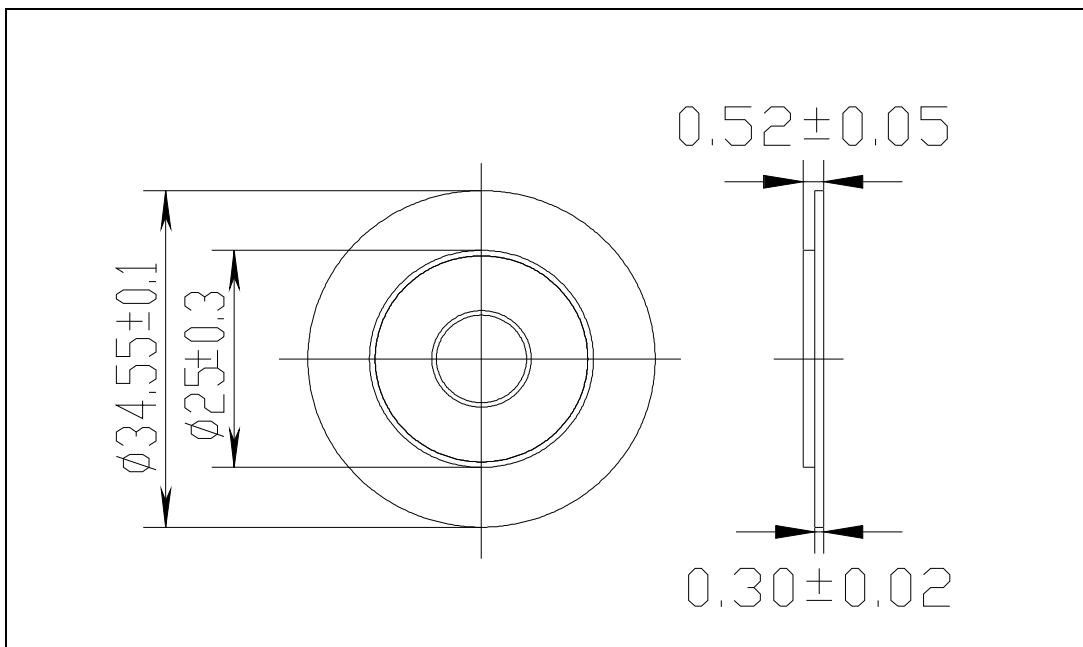


PIEZO ELEMENT SPECIFICATIONS

MODEL: AW1E34.55G-32S9

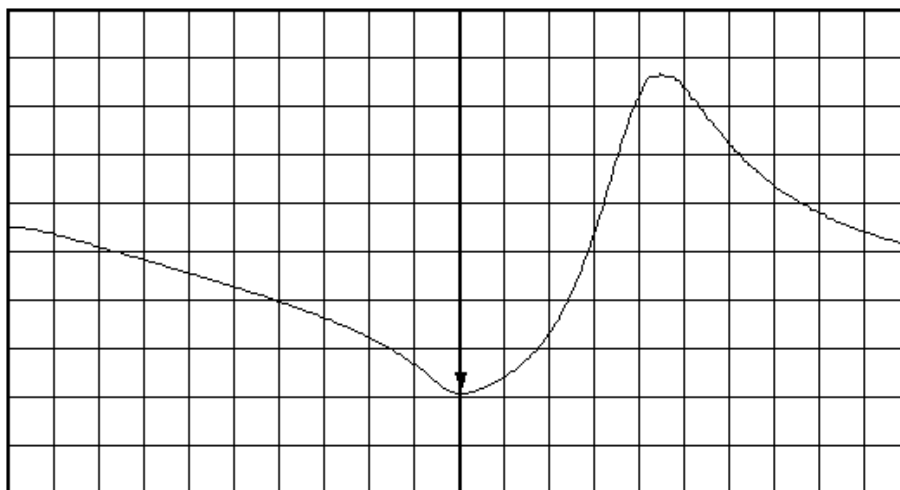
Resonant frequency	F_r	$3.2 \pm 0.3\text{kHz}$
Main electrostatic capacity	C_m	$37000 \pm 30\% \text{pF at } 1000\text{Hz}/1\text{V}$
Feedback electrostatic capacity	C_f	$4600 \pm 30\% \text{pF at } 1000\text{Hz}/1\text{V}$
Resonant impedance	R	$200 \Omega \text{ MAX.}$
Metal plate material		SUS 304
Metal plate diameter	mm	34.55 ± 0.10
Metal plate thickness	mm	0.30 ± 0.02
Ceramic diameter	mm	25.0 ± 0.30
Total height	mm	0.52 ± 0.05
Insulation resistance		$100\text{M} \Omega \text{ MIN.}$
Maximum input voltage		30Vp-p
Operating temperature range		$-20^\circ\text{C to } +70^\circ\text{C}$
Storage temperature range		$-30^\circ\text{C to } +80^\circ\text{C}$
Lead wires		-----

APPEARANCE AND DIMENSIONS:



■ TYPICAL FREQUENCY RESPONSE CURVE

公司名称: **AUDIOWELL** 类型: **ELEMENT** 型号: **AW1E34.55G-32S9**
 串联谐振 $F_r = 3205 \text{ Hz}$ 串联谐振 $R_r = 72.8 \Omega$
 并联谐振 $F_f = 3650 \text{ Hz}$ [暂 停] 并联谐振 $R_f = 1925.2 \Omega$
 最大幅度: 2290Ω 每格: 280Ω [阻抗特性曲线]



频率 最小: 2200 Hz 最大: 4200 Hz 每格: 100 Hz 扫描: 5 Hz

■ MEASURING PROCEDURE

The node held with a measuring terminal, the resonant frequency and resonant impedance are measured in the constant-voltage circuit.

