



广州市番禺奥迪威电子有限公司
Audiowell Electronics (Guangzhou) Co., Ltd.
 地址: 中国广东省广州市番禺区迎宾路东升工业区 邮政编码: 511400
 Add: Dongsheng Industrial Park, Yingbin Road, Panyu, Guangzhou 511400, China
 Tel: +86-20-84802041 84802405 84871596 34516735 Fax: 84565207

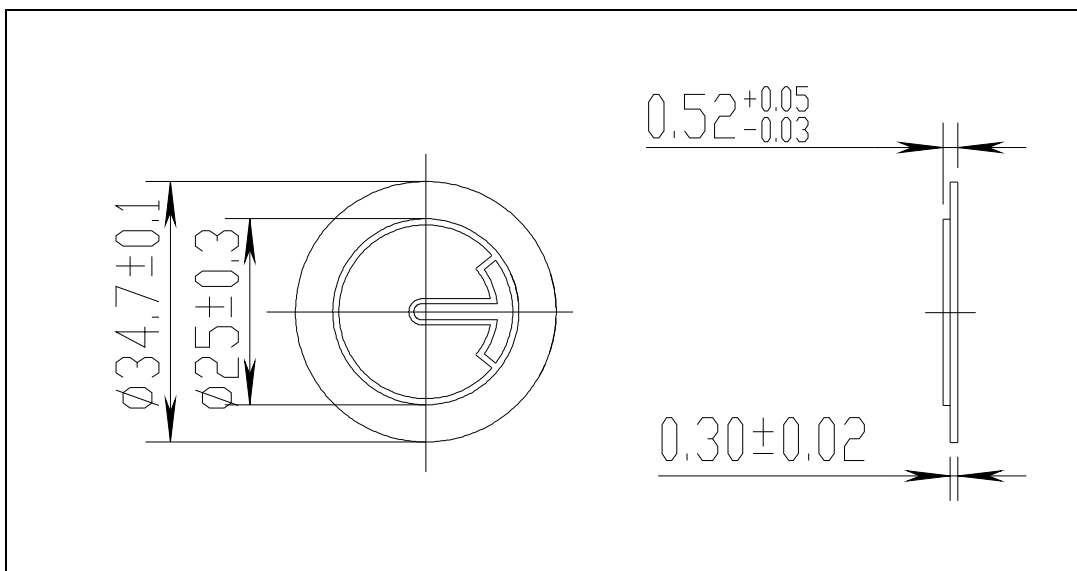


PIEZO ELEMENT SPECIFICATIONS

MODEL: AW4E34.7G-32S2

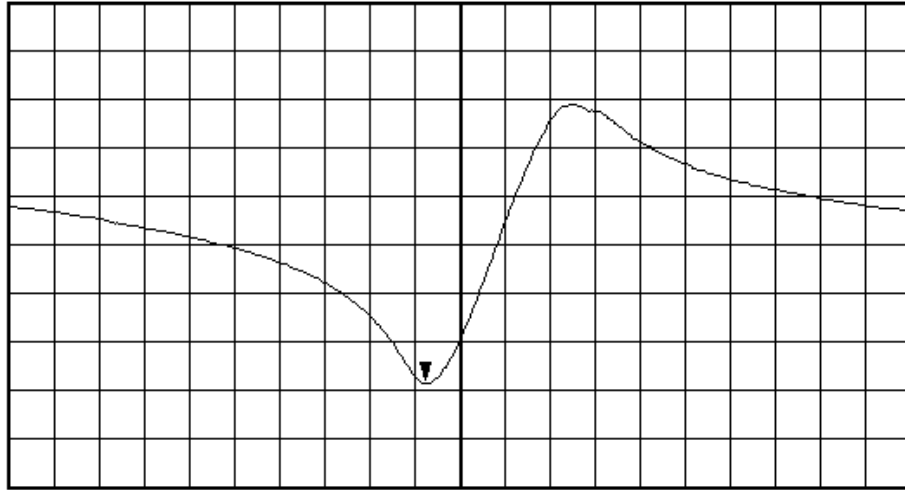
Resonant frequency	Fr	3.2 $_{-0.3}^{+0}$ kHz
Main electrostatic capacity	Cm	36000 ± 30% pF at 1000Hz/1V
Feedback electrostatic capacity	Cf	3600 ± 30% pF at 1000Hz/1V
Resonant impedance	R	200 Ω MAX.
Metal plate material		SUS 304
Metal plate diameter	mm	34.7 ± 0.10
Metal plate thickness	mm	0.30 ± 0.02
Ceramic diameter	mm	25.0 ± 0.30
Total height	mm	0.52 $_{-0.03}^{+0.05}$
Insulation resistance		100M Ω MIN.
Maximum input voltage		30Vp-p
Operating temperature range		-20°C to +70°C
Storage temperature range		-30°C to +80°C
Adhesive		UV Cure

APPEARANCE AND DIMENSIONS:



■ TYPICAL FREQUENCY RESPONSE CURVE

公司名称: **AUDIOWELL** 类型: **ELEMENT** 型号: **AW4E34.7G-32S2**
 串联谐振 $F_r = 3025 \text{ Hz}$ 串联谐振 $R_r = 71.5 \Omega$
 并联谐振 $F_f = 3355 \text{ Hz}$ [暂停] 并联谐振 $R_f = 1000.2 \Omega$
 最大幅度: 1330Ω 每格: 160Ω [阻抗特性曲线]



频率 最小: 2100 Hz 最大: 4100 Hz 每格: 100 Hz 扫描: 5 Hz

■ MEASURING PROCEDURE

The node held with a measuring terminal, the resonant frequency and resonant impedance are measured in the constant-voltage circuit.

